

# embedded adventures

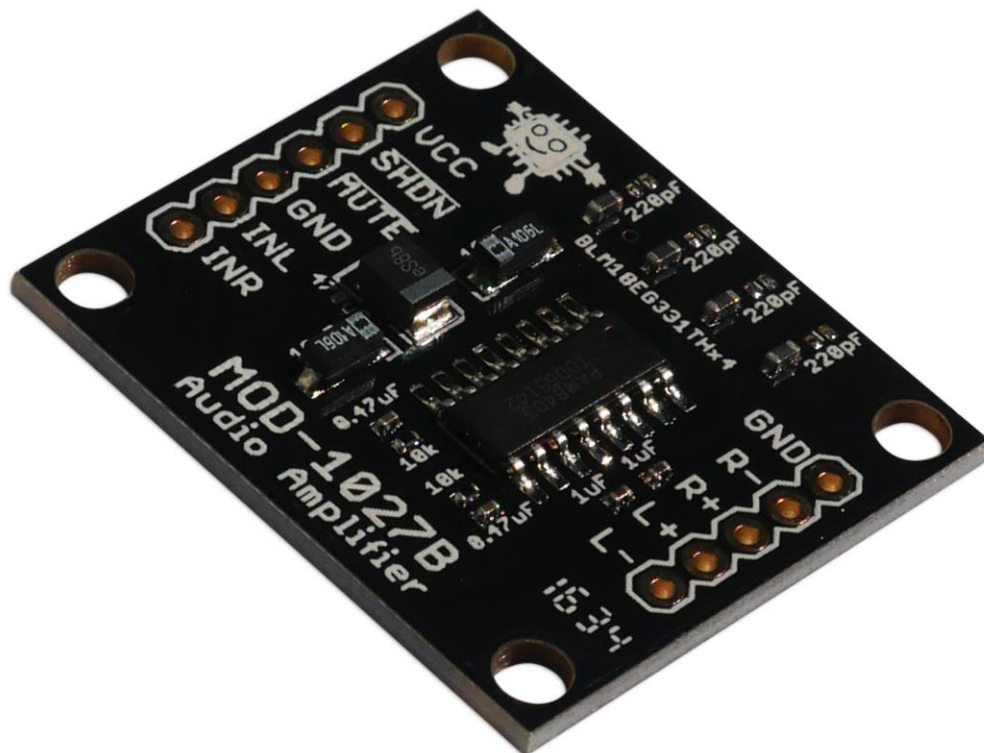
Device: MOD-1027B

This document Version: v1

Matches module version: v1 [13 June 2016]

Date: 28 August 2016

Description: PAM8403 Audio Amplifier



## Contents

Introduction.....	3
Features.....	3
Connections.....	3
Power .....	3
Schematic.....	4
PCB.....	4
Versions .....	4

## Introduction

---

The MOD-1027B is a 3W audio amplifier based on the class-D amplifier PAM8403 by Diodes, Inc.

## Features

---

The MOD-1027B has two control input pins, SHDN and MUTE, which can be used to shut down the device into low power mode, or mute the audio. It also has 2 audio input pins for left (INL) and right (INR). We placed ferrite beads on the output audio signals to filter out high frequency signals, all for your listening pleasure.

## Connections

---

The MOD-1027B has two connection ports on either side of the board.

VCC	Positive supply, 3.2V – 5V
SHDN	Shutdown, active low
MUTE	Mute, active low
GND	Ground connection
INL	Audio input left channel
INR	Audio input right channel

The SHDN and MUTE pins have pull-ups, and so the mute and shutdown functions are disabled by default and aren't required to be connected.

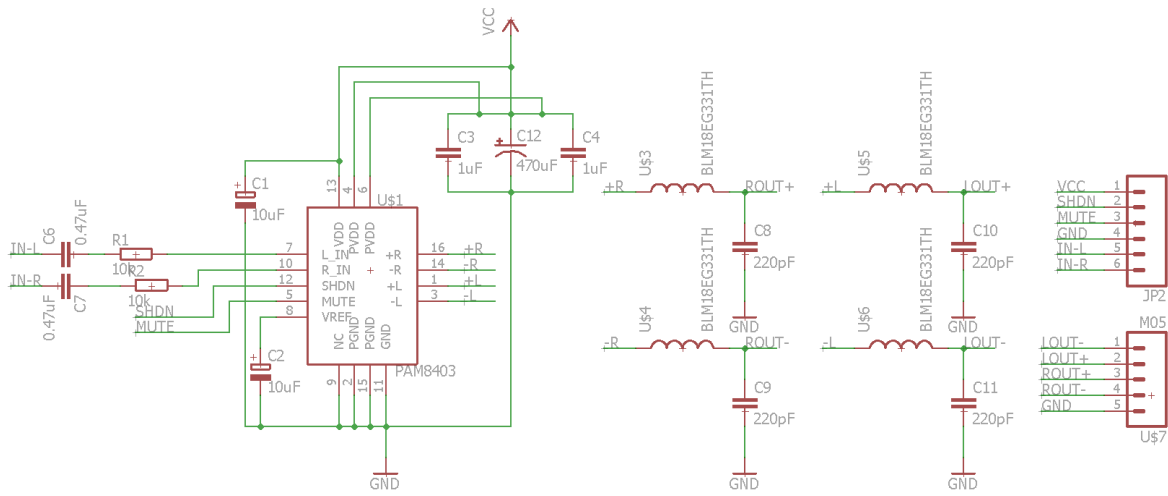
GND	Ground connection
R-	Negative right audio output
R+	Positive right audio output
L+	Positive left audio output
L-	Negative left audio output

## Power

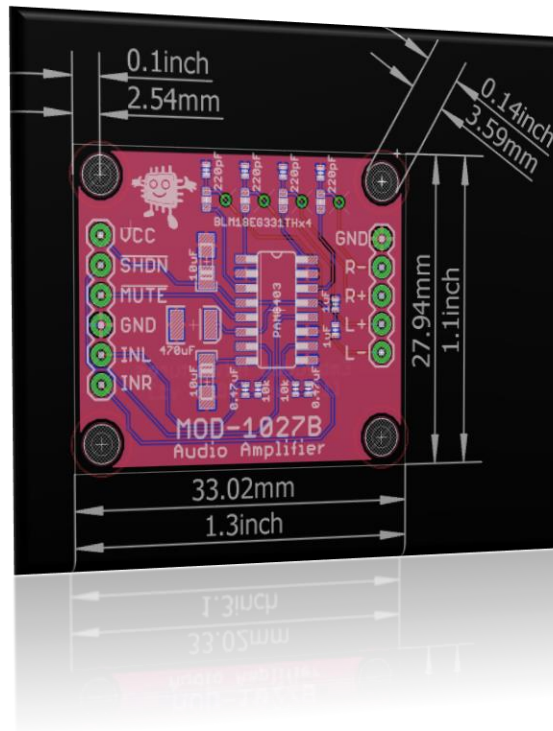
---

The MOD-1027B handles 2.5V – 5.5V power. At shutdown, it uses less than 1uA.

## Schematic



## PCB



## Versions

Doc Version	Date	Comments
	28 Aug 2016	Initial Version for board v1 [13 June 2016]